

**BANK NOTE PAPER MILL INDIA PRIVATE LIMITED,**  
**CIN: U21090KA2010PTC055475**  
**CORPORATE OFFICE, MYSORE**  
**Email: [bhoodhar@bnpmindia.com](mailto:bhoodhar@bnpmindia.com)**  
**Tel: 0821-2401-174**

---

**ENQUIRY No: BNPM/ENQ/Choke & Sensors /398/2017-18**

**Start Date: 25.01.2018**

**END Date: 31.01.2018**

**Extended upto 14.05.2018**

**1. Scope of work:**

Supply of “Osram make choke and Ultrasonic diffuse reflection sensors”.

**2. Terms & Conditions:**

S. No.	Particulars	Quantity
1.	Payment Terms	100% after receipt and acceptance of goods by the consignee at destination and on production of all required documents by the supplier. <b><u>NEFT/RTGS details shall be furnished along with invoice.</u></b>
2.	Price	Price should be inclusive of all taxes & duties.
3.	Freight	Shall be included in quoted price
4.	Packing & Forwarding	Shall be included in quoted price
5.	Delivery Terms	DAP, Bank Note Paper Mill India Private Limited, Mysore
6.	Warranty Period	.....(Please specify)
7.	Warranty Certificate	Applicable/ Not Applicable
8.	Delivery Period	..... weeks from the date of PO
9.	Material to be delivered at	Engineering Stores Bank Note Paper Mill India Private Limited Note Mudran Nagar Mysore 570 003

Remarks: Quotation should send by mail to [bhoodhar@bnpmindia.com](mailto:bhoodhar@bnpmindia.com).

**3. Price Bid Format :**

S. No.	Description	Qty. A	UOM B	Unit rate C	GST @.....% D	Total E=C+D	Grand Total F=E*A
1	<b>Choke, (OSRAM Quicktronic QT-FQ 2x80)</b> <b>Specification: U<sub>N</sub> (V) 220-240V</b> <b>I amp                      I<sub>N</sub> (A)</b> <b>2xHO80W                    0.76A</b> <b>2xDL80W                    0.76A</b> <b>2xDL55W                    0.59 A</b> <b>f<sub>N</sub> (hz) 50-60 Hz</b> <b>λ 0.99</b> <b>ta (°c) -20° to +50° C</b>	2	NOS				
2	<b>Ultrasonic diffuse- reflection sensors</b>	1	Nos				
						Grand Total(1+2)	
Grand Total In Words:							

We hereby confirm that

- We accept all terms & conditions mentioned in the enquiry.  
Price quoted is inclusive of all taxes, duties, P&F, freight etc. on DAP, BNPM, Mysore basis.

Signature of bidder:.....

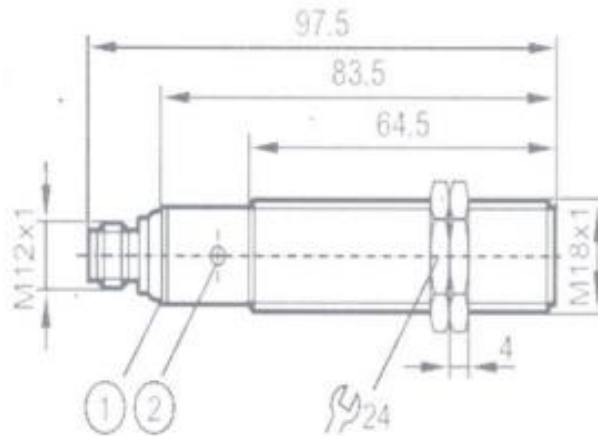
Name of the Firm:.....

Seal of the firm: .....

**Annexure-1**

**Spare Ultrasonic Sensors required for Unwinder unit in Sheeter.**

Sl.No.	Description	TECH. SPECIFICATION	Required. Qty
1	Ultrasonic diffuse-reflection Sensor	Operating voltage: 24 V (10...30 V) DC Current consumption:55mA Protection class: III Reverse polarity protection: Yes Sensing range: 200...2200 mm Short-circuit protection: Yes Output function : normally open / normally closed Overload protection: Yes Ambient temperature: -20...70°C Protection: IP 67 Housing: threaded type Dimensions (mm) : <del>M8 x 97.5</del> <i>M18 x 97.5</i> Power-on delay time [s]: < 0.3 Converter frequency [kHz]: 200 Total number of outputs: 2 Number of digital outputs:1 Number of analogue outputs:1 Analogue current output [mA]: 4...20 Max. load [Ω]:500	1 No.



- 1. LEDs
- 2 teach button

*Anandh*      *V. M. / 20/12/17*      *W. W.*